

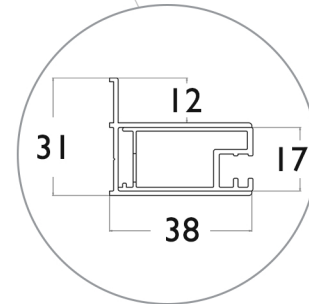
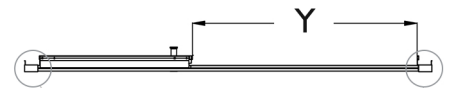
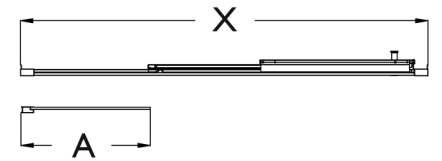
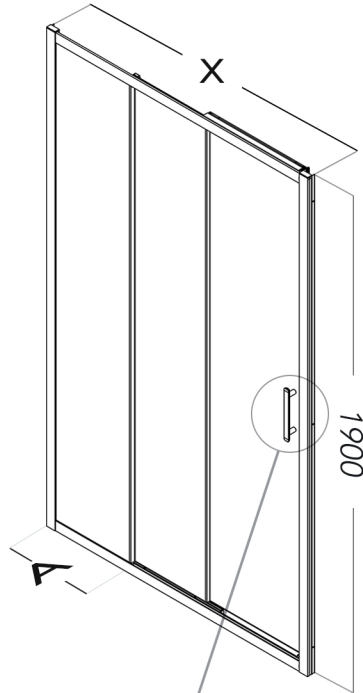
TRIPLE PANEL SLIDING DOOR



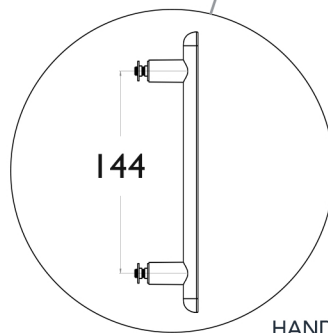
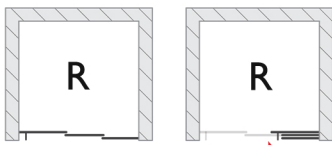
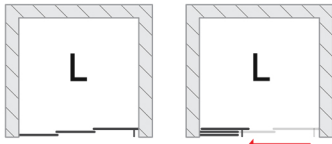
EN 14428:2015+A1:2018 (shower enclosures)
EN 12150-1:2013 (glass in building)
EN ISO7599 (anodizing of aluminium and its alloys)
6mm Toughened Safety Glass

1900mm Height
Solid Chrome Handle
50mm Adjustment
Positive Magnetic Close Action

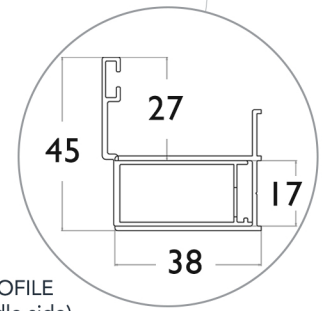
Reversible
ClearVue Glass Coating
20 Year Guarantee Against Manufacturing Defects*



PROFILE
(opposite handle side)



HANDLE



PROFILE
(handle side)

SPECIFICATIONS

PRODUCT SIZE	ADJUSTMENT X (min - max)	DOOR ACCESS Y	GLASS PANEL A	PRODUCT WEIGHT	PRODUCT CODE SILVER
900mm	850 - 900mm	430mm	266mm	30.00kg	V3SA90SC
1000mm	950 - 1000mm	497mm	300mm	33.00kg	V3SA100SC
1100mm	1050 - 1100mm	563mm	333mm	36.50kg	V3SA110SC
1200mm	1150 - 1200mm	630mm	366mm	40.00kg	V3SA120SC

+353 42 966 8000 | flairshowers.com | sales@flairshowers.com

All data presented may be subjected to change without prior notice. Flair Showers does the best it can to provide accurate information. Flair Showers unfortunately cannot guarantee this, and accept no liability for any information / advice given.

* Excludes perishable items such as rollers, seals, hinges, etc.

