

SALOON DOOR



EN 14428:2015+A1:2018 (shower enclosures)

EN 12150-1:2013 (glass in building)

6mm Toughened Safety Glass

50mm Product Adjustment

1950mm Height

25mm Wall Profile Extension Available

Inward and Outward Opening

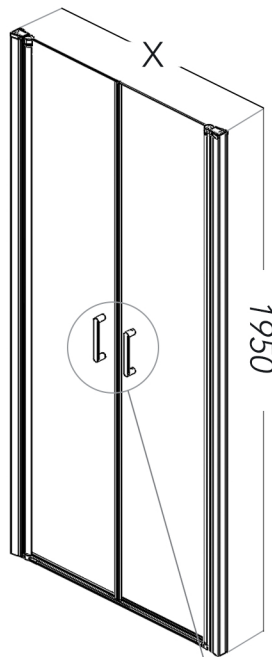
Suitable Side Panel Installation

Rising Butt Hinge Mechanism

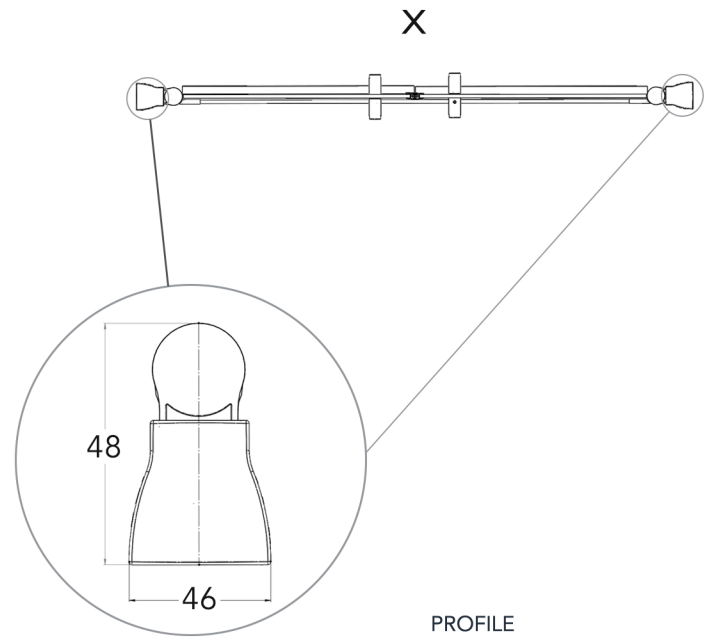
Suitable for 2 Inline Panel Installation

Suitable for Wetroom or Shower Tray Installation

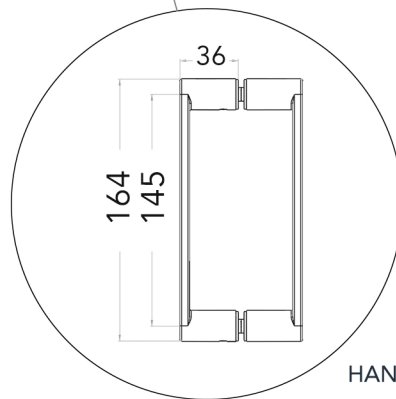
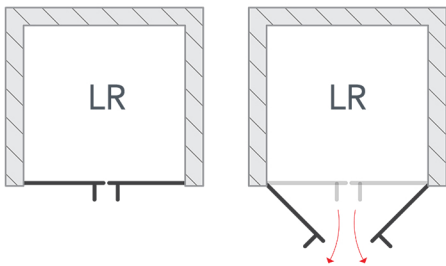
20 Year Guarantee Against Manufacturing Defects*



(MEASUREMENTS IN MM)



PROFILE
(same on both sides)



HANDLE

SPECIFICATIONS

PRODUCT SIZE	ADJUSTMENT X (min - max)	DOOR ACCESS	EXTRUSION	INTRUSION	PRODUCT WEIGHT	PRODUCT CODE	
						SILVER	BLACK
800mm	750 - 800mm	594mm	296mm	296mm	27.00kg	FFSD80SC	FFSD80BC
900mm	850 - 900mm	694mm	346mm	346mm	29.00kg	FFSD90SC	FFSD90BC
1000mm	950 - 1000mm	794mm	396mm	396mm	32.00kg	FFSD100SC	FFSD100BC
1200mm	1150 - 1200mm	994mm	496mm	496mm	38.00kg	FFSD120SC	FFSD120BC

+353 42 966 8000 | flairshowers.com | sales@flairshowers.com

All data presented may be subjected to change without prior notice. Flair Showers does the best it can to provide accurate information. Flair Showers unfortunately cannot guarantee this, and accept no liability for any information / advice given.

* Excludes perishable items such as rollers, seals, hinges, etc.

