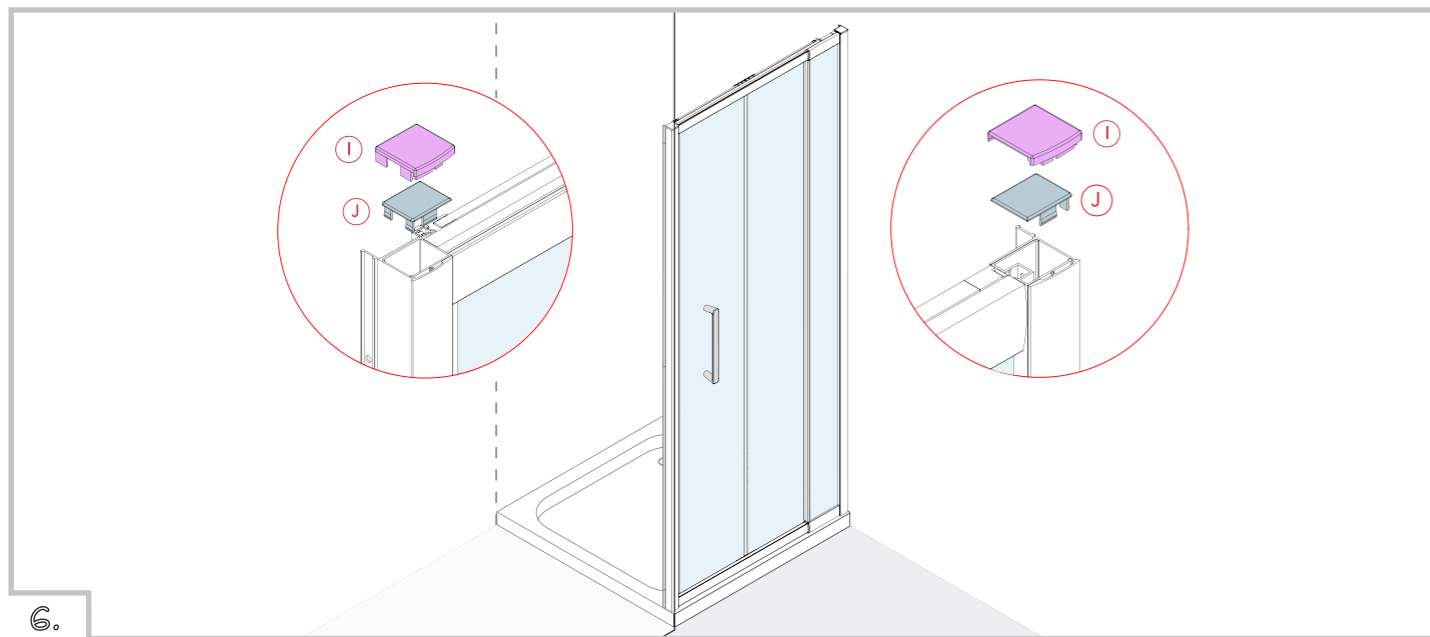
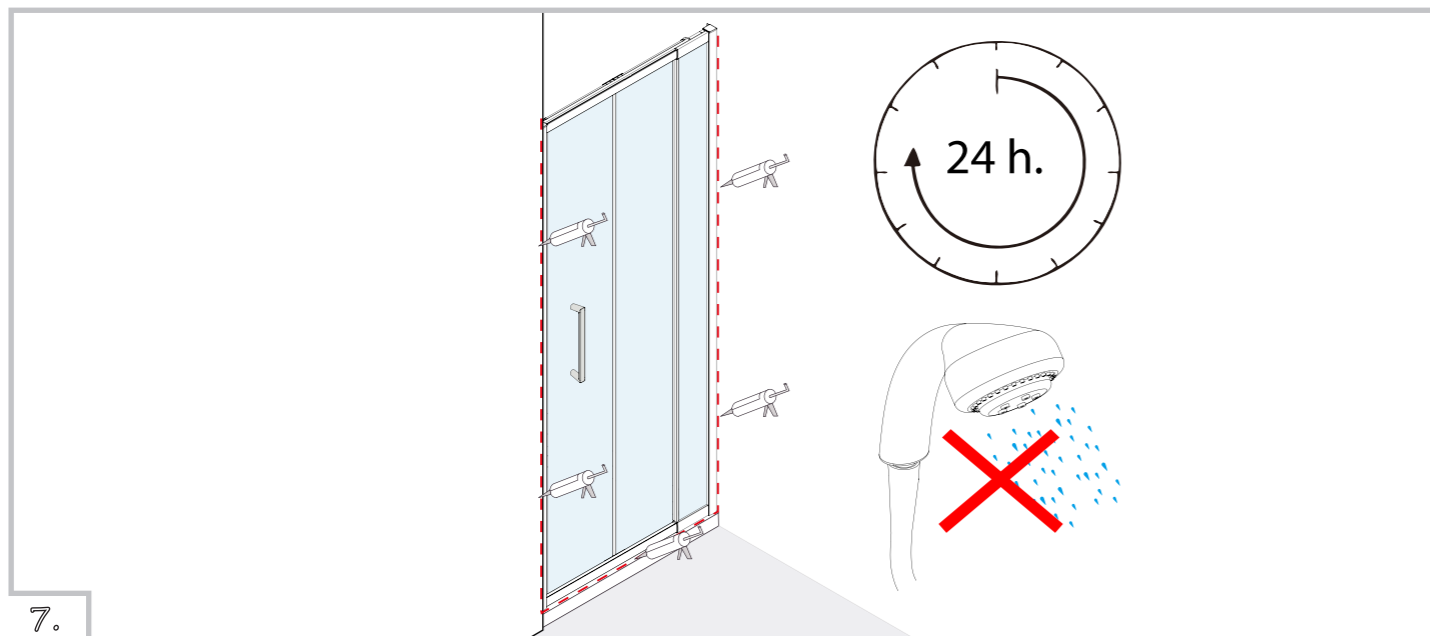


5.



6.



7.

Flair Showers Ltd., Rocks Road, Kingscourt, Co. Cavan, Ireland

Sales Office Direct Telephone: +353 42 966 8000

Where a shower enclosure has been installed contrary to these instructions Flair Showers Ltd cannot accept liability for any consequential loss or damage.

www.flairshowers.com

4.

NEW SLIMLINE TELESCOPIC flair

BIFOLD Shower Enclosure



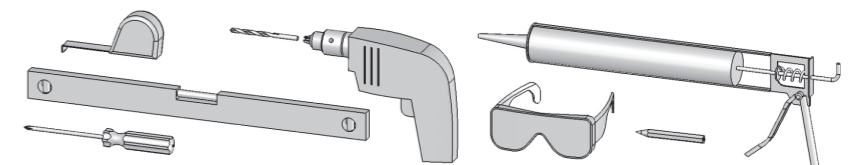
Thank you for choosing a Flair product.

This product is fully compliant with EN14428 (European Standard for Functional Requirements and Test Methods for Shower Enclosures)

BEFORE YOU INSTALL YOUR SHOWER ENCLOSURE PLEASE READ ALL INSTRUCTIONS. FAILURE TO DO SO MAY LEAD TO INVALIDATION OF YOUR WARRANTY

- The shower tray **MUST** be fitted level, tiled in and sealed along its entire wall length.
- Glass door edges are vulnerable. Contact with hard surfaces may result in glass breakage.
- The shower enclosure should be sealed on the outside using silicone sealant.
- Check walls for electrical cabling or water pipes before drilling.

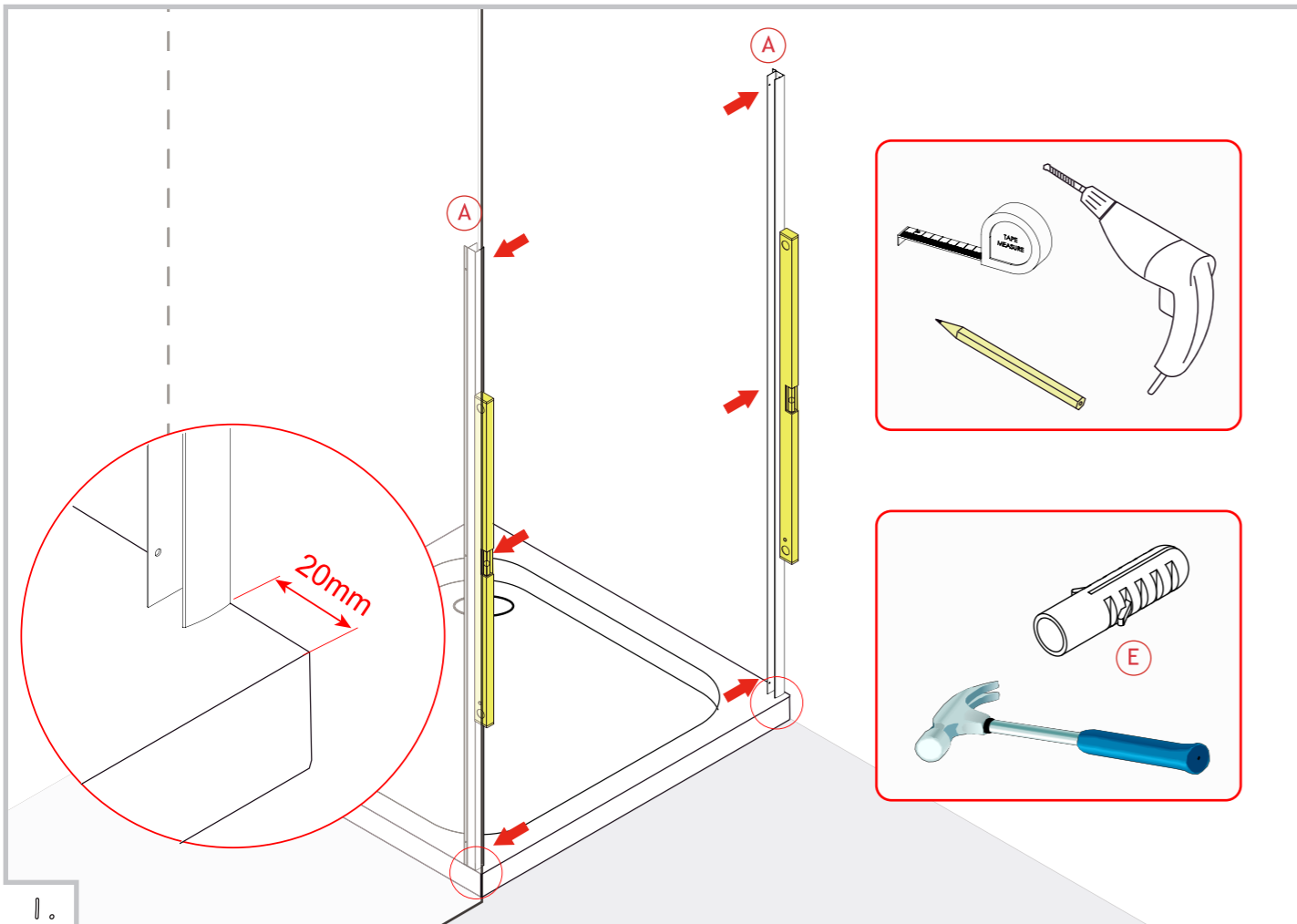
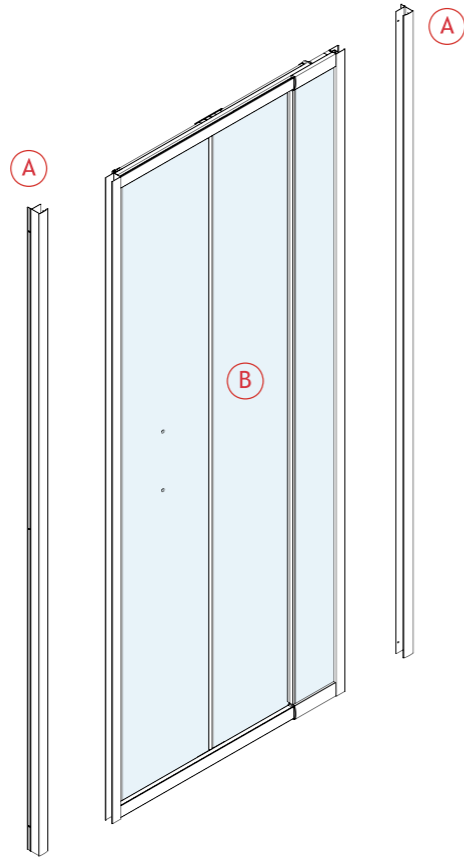
Tools required to install your shower enclosure



IN006SCTBE3

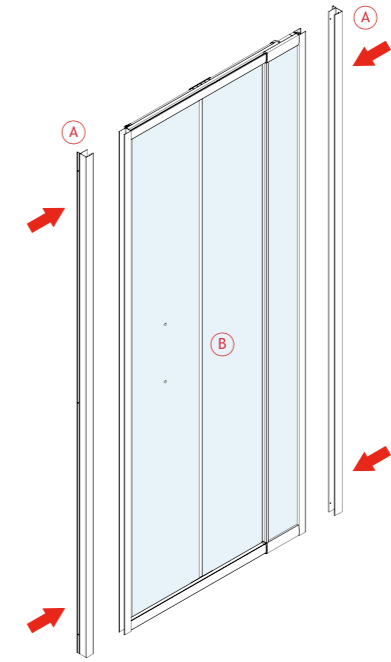
Slimline
Installation Instructions

ITEM		Quant.
(C)		1 Pc
(D)		6 Pc
(E)		6 Pc
(F)		12 Pc
(G)		6 Pc
(H)		12 Pc
(I)		1+1 Pc
(J)		2 Pc
(K)		1+1 Pc
(L)		1 Pc



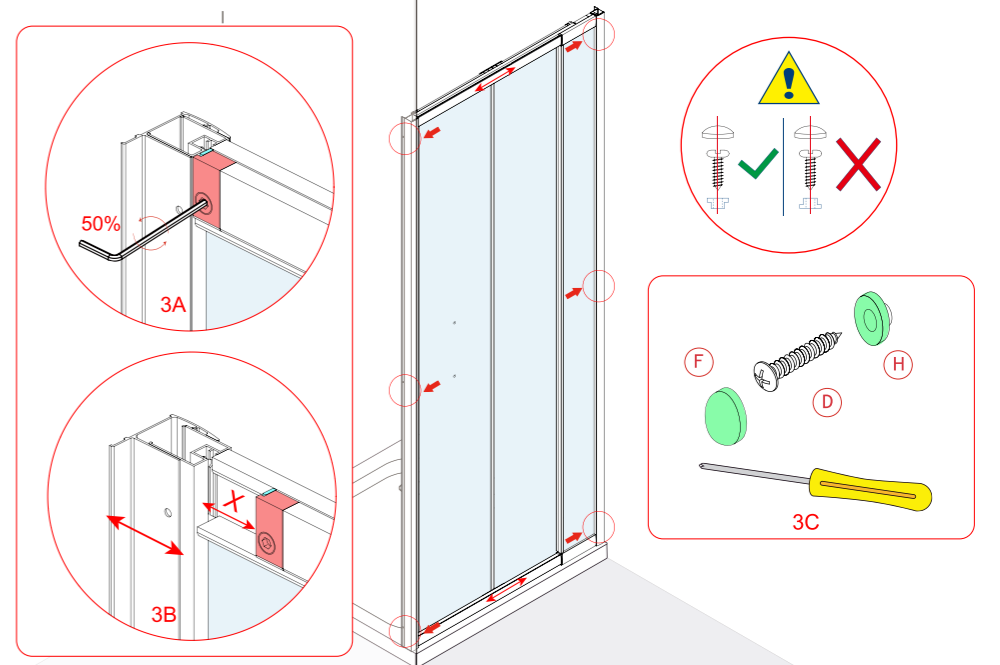
2.

2.

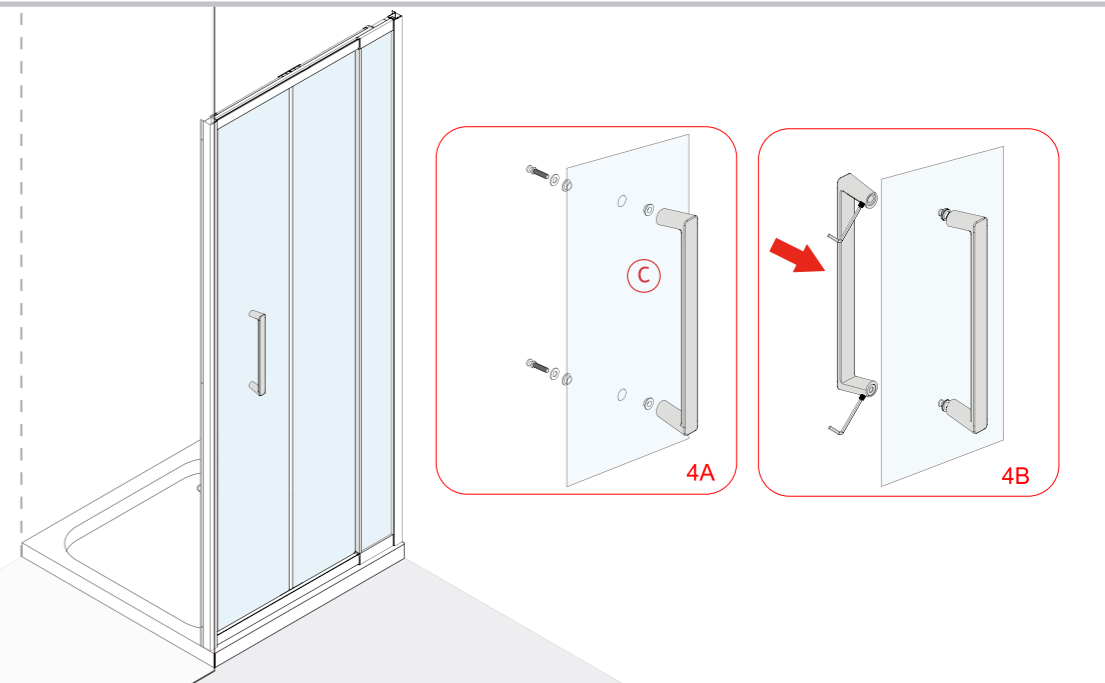


3.

STBF70	X=0~30mm
STBF80	X=0~30mm
STBF90	X=0~60mm
STBF100	X=0~60mm
STBF110	X=0~60mm
STBF120	X=0~60mm



4.



3.