

**NEW** SLIMLINE  
TELESCOPIC **flair**

**CURVED QUADRANT  
Shower Enclosure**



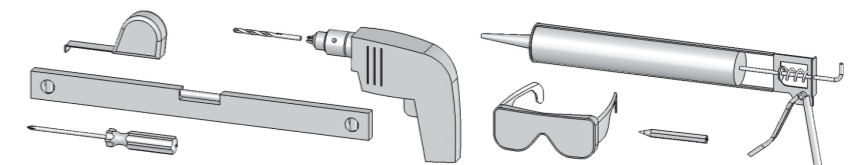
Thank you for choosing a Flair product.

This product is fully compliant with EN14428  
(European Standard for Functional Requirements and  
Test Methods for Shower Enclosures)

**BEFORE YOU INSTALL YOUR SHOWER ENCLOSURE  
PLEASE READ ALL INSTRUCTIONS. FAILURE TO DO SO MAY  
LEAD TO INVALIDATION OF YOUR WARRANTY**

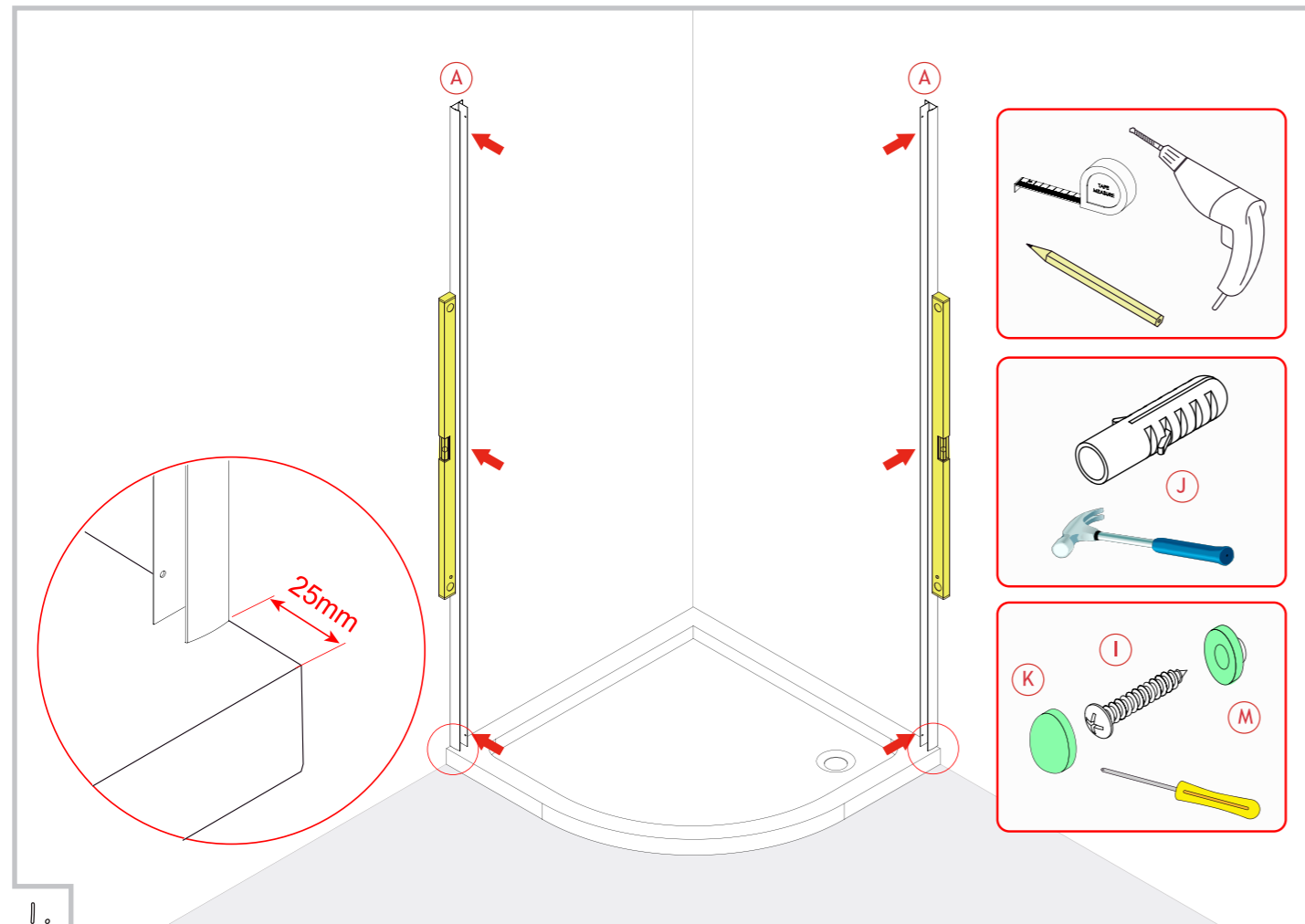
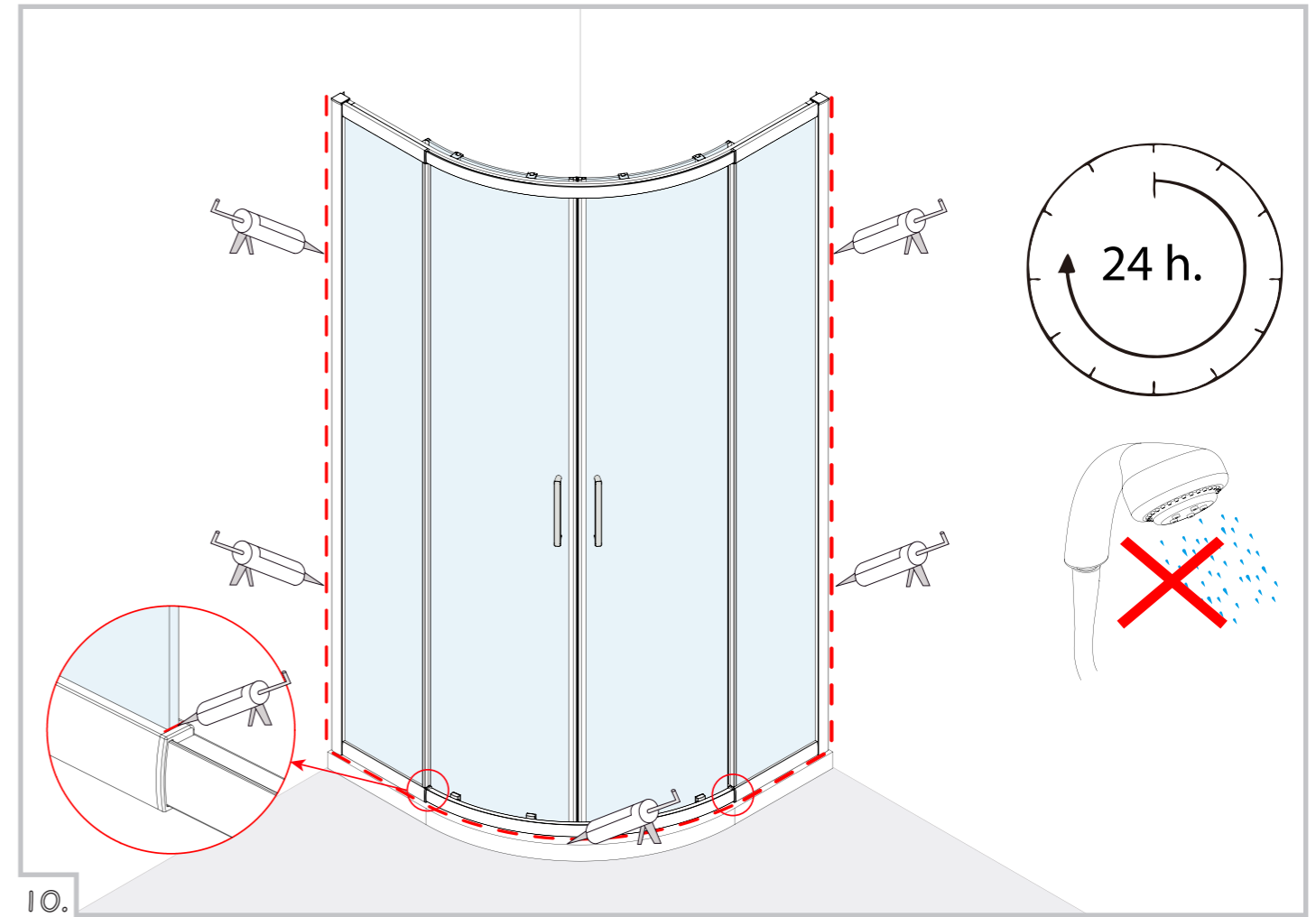
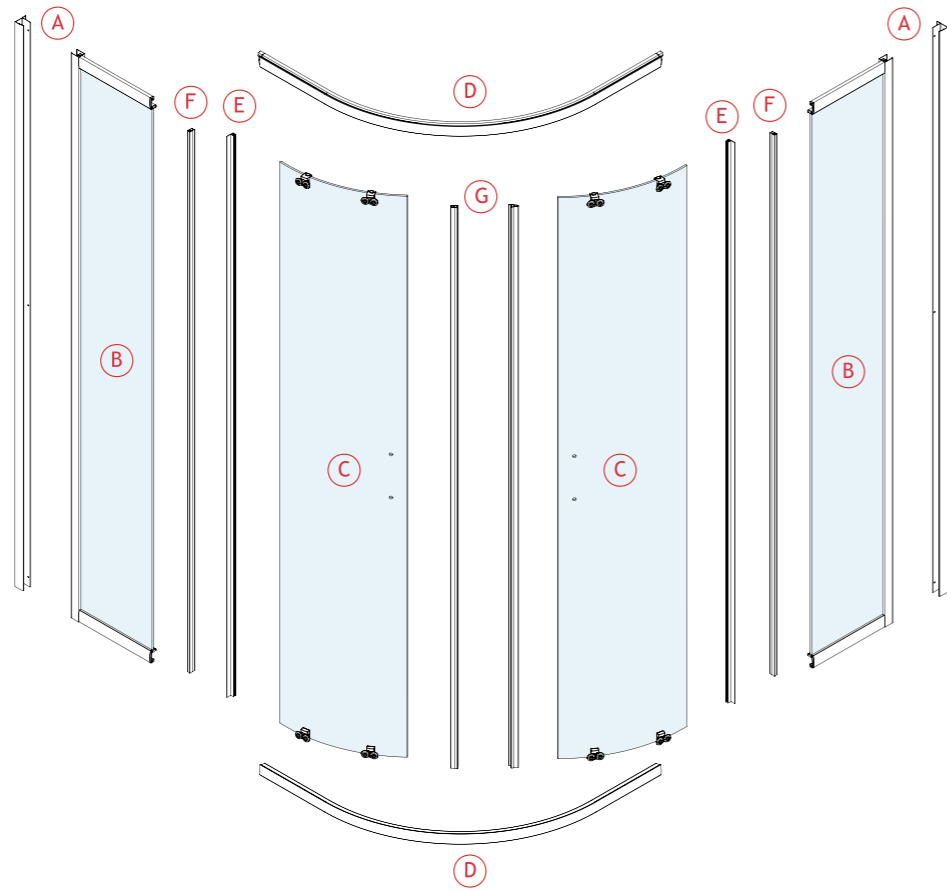
- The shower tray **MUST** be fitted level, tiled in and sealed along its entire wall length.
- Glass door edges are vulnerable. Contact with hard surfaces may result in glass breakage.
- The shower enclosure should be sealed on the outside using silicone sealant.
- Check walls for electrical cabling or water pipes before drilling.

Tools required  
to install your  
shower  
enclosure



# Slimline Installation Instructions

ITEM		Quant.
(H)		2 Pc
(I)		6 Pc
(J)		6 Pc
(K)		12 Pc
(L)		6 Pc
(M)		12 Pc
(N)		4 Pc
(O)		1+1 Pc
(P)		2 Pc
(Q)		1+1 Pc
(R)		1 Pc



Flair Showers Ltd., Rocks Road, Kingscourt, Co. Cavan, Ireland  
 Sales Office Direct Telephone:+353 42 966 8000  
 Where a shower enclosure has been installed contrary to these instructions Flair Showers Ltd cannot accept liability for any consequential loss or damage.  
[www.flairshowers.com](http://www.flairshowers.com)

