

PIVOT DOOR



EN 14428:2015+A1:2018 (shower enclosures)

EN 12150-1:2013 (glass in building)

EN ISO7599 (anodizing of aluminium and its alloys)

8mm Toughened Safety Glass

1950mm Height

Solid Chrome Handle

50mm Profile Adjustment

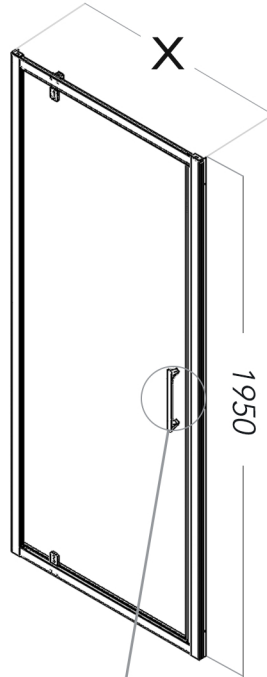
Positive Magnetic Close Action

ClearVue Glass Coating

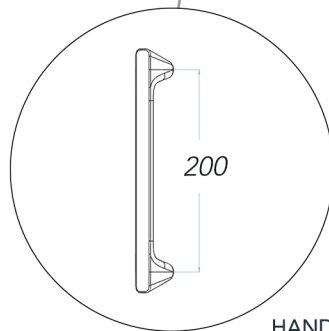
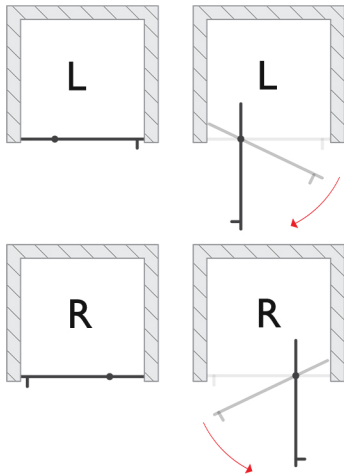
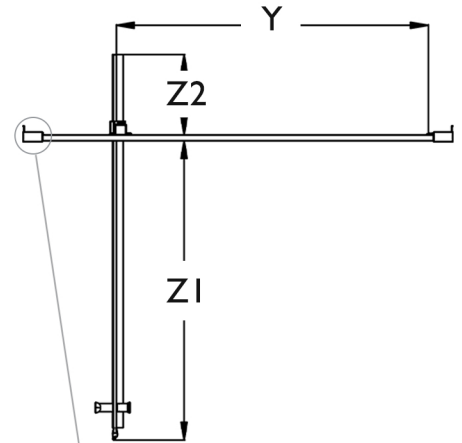
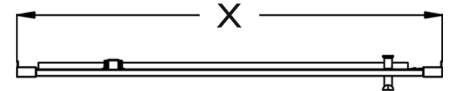
Quality Engineered Hinge

Reversible

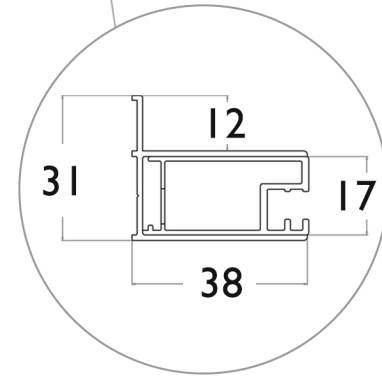
20 Year Guarantee Against Manufacturing Defects*



(MEASUREMENTS IN MM)



HANDLE



PROFILE
(identical on both ends)

SPECIFICATIONS

PRODUCT SIZE	ADJUSTMENT X (min - max)	DOOR ACCESS Y	EXTRUSION Z1	INTRUSION Z2	PRODUCT WEIGHT	PRODUCT CODE		
						SILVER	BLACK	BRUSHED BRASS
700mm	650 - 700mm	417mm	392mm	158mm	28.00kg	V8PD70SC	V8PD70BC	V8PD70BRBC
800mm	750 - 800mm	517mm	492mm	158mm	32.00kg	V8PD80SC	V8PD80BC	V8PD80BRBC
900mm	850 - 900mm	617mm	592mm	158mm	36.00kg	V8PD90SC	V8PD90BC	V8PD90BRBC

+353 42 966 8000 | flairshowers.com | sales@flairshowers.com

All data presented may be subjected to change without prior notice. Flair Showers does the best it can to provide accurate information. Flair Showers unfortunately cannot guarantee this, and accept no liability for any information / advice given.

* Excludes perishable items such as rollers, seals, hinges, etc.

