

INLINE PANEL



To be paired with VERVE BIFOLD DOOR, VERVE PIVOT DOOR

EN 14428:2015+A1:2018 (shower enclosures)

EN 12150-1:2013 (glass in building)

8mm Toughened Safety Glass

1950mm Height

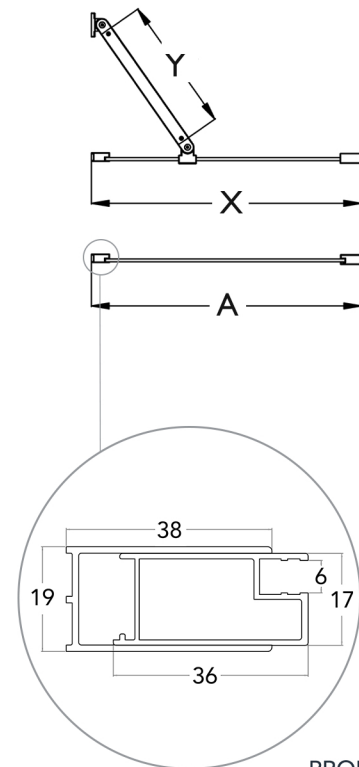
ClearVue Glass Coating

20 Year Guarantee Against Manufacturing Defects*

25mm Adjustment



(MEASUREMENTS IN MM)



PROFILE

SPECIFICATIONS

PRODUCT SIZE	DOOR LENGTH X	STABILISING BAR Y	FIXED GLASS A	PRODUCT WEIGHT	PRODUCT CODE		
					SILVER	BLACK	BRUSHED BRASS
Inline Panel 300mm	335mm	350mm	335mm	12.00kg	V8IL30SC	V8IL30BC	V8IL30BRBC
Inline Panel 400mm	435mm	350mm	435mm	15.00kg	V8IL40SC	V8IL40BC	V8IL40BRBC

+353 42 966 8000 | flairshowers.com | sales@flairshowers.com

All data presented may be subjected to change without prior notice. Flair Showers does the best it can to provide accurate information. Flair Showers unfortunately cannot guarantee this, and accept no liability for any information / advice given.

* Excludes perishable items such as rollers, seals, hinges, etc.

