

NEW SLIMLINE
TELESCOPIC **flair**

CORNER ENTRY
Shower Enclosure



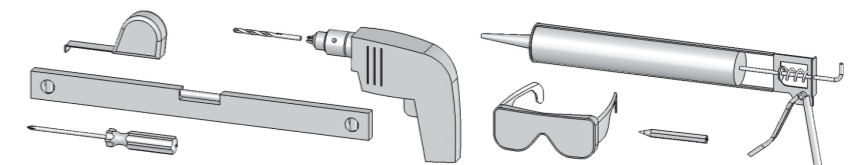
Thank you for choosing a Flair product.

This product is fully compliant with EN14428
 (European Standard for Functional Requirements and
 Test Methods for Shower Enclosures)

**BEFORE YOU INSTALL YOUR SHOWER ENCLOSURE
 PLEASE READ ALL INSTRUCTIONS. FAILURE TO DO SO MAY
 LEAD TO INVALIDATION OF YOUR WARRANTY**

- The shower tray **MUST** be fitted level, tiled in and sealed along its entire wall length.
- Glass door edges are vulnerable. Contact with hard surfaces may result in glass breakage.
- The shower enclosure should be sealed on the outside using silicone sealant.
- Check walls for electrical cabling or water pipes before drilling.

Tools required
 to install your
 shower
 enclosure



Flair Showers Ltd., Rocks Road, Kingscourt, Co. Cavan, Ireland

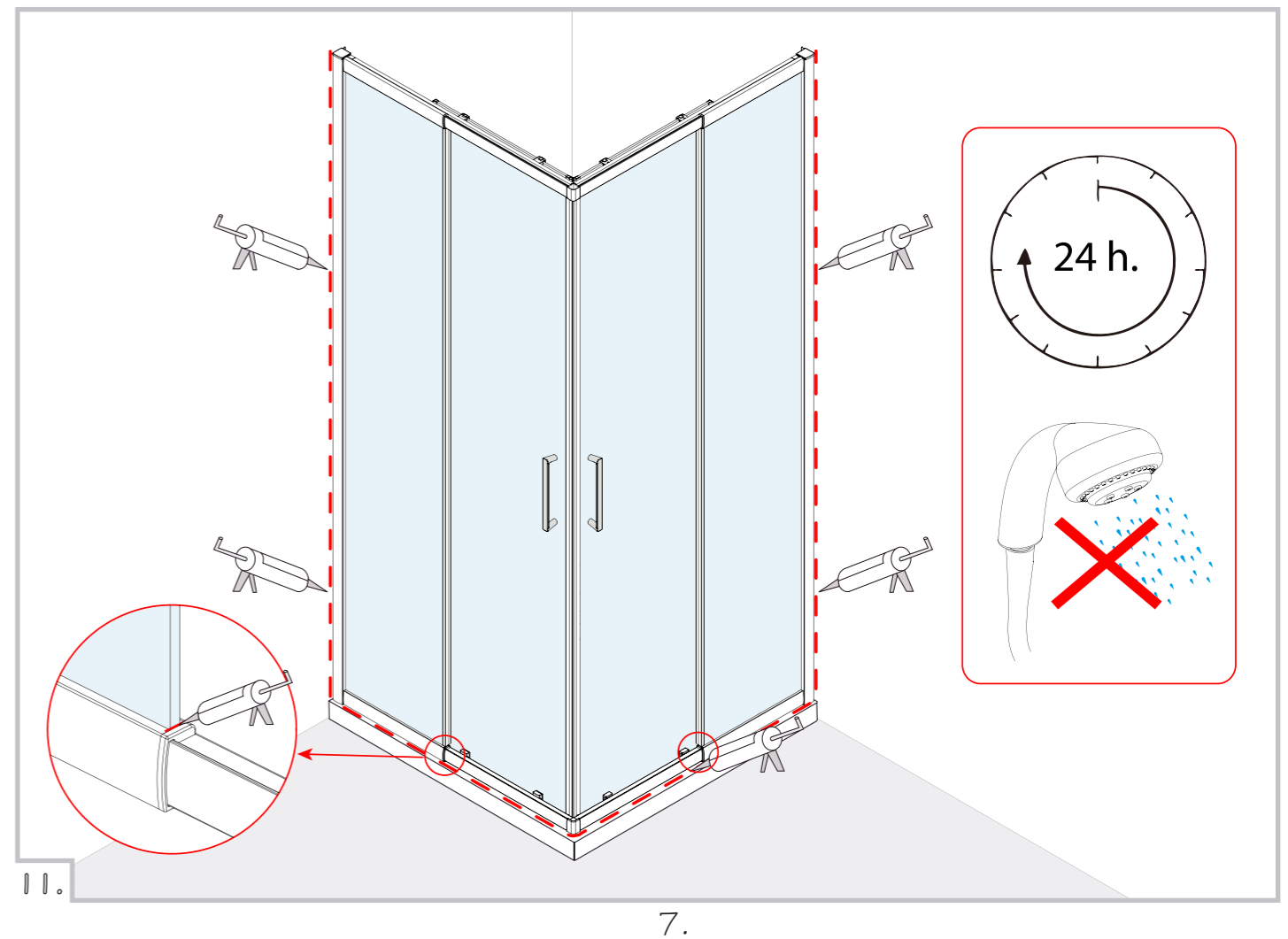
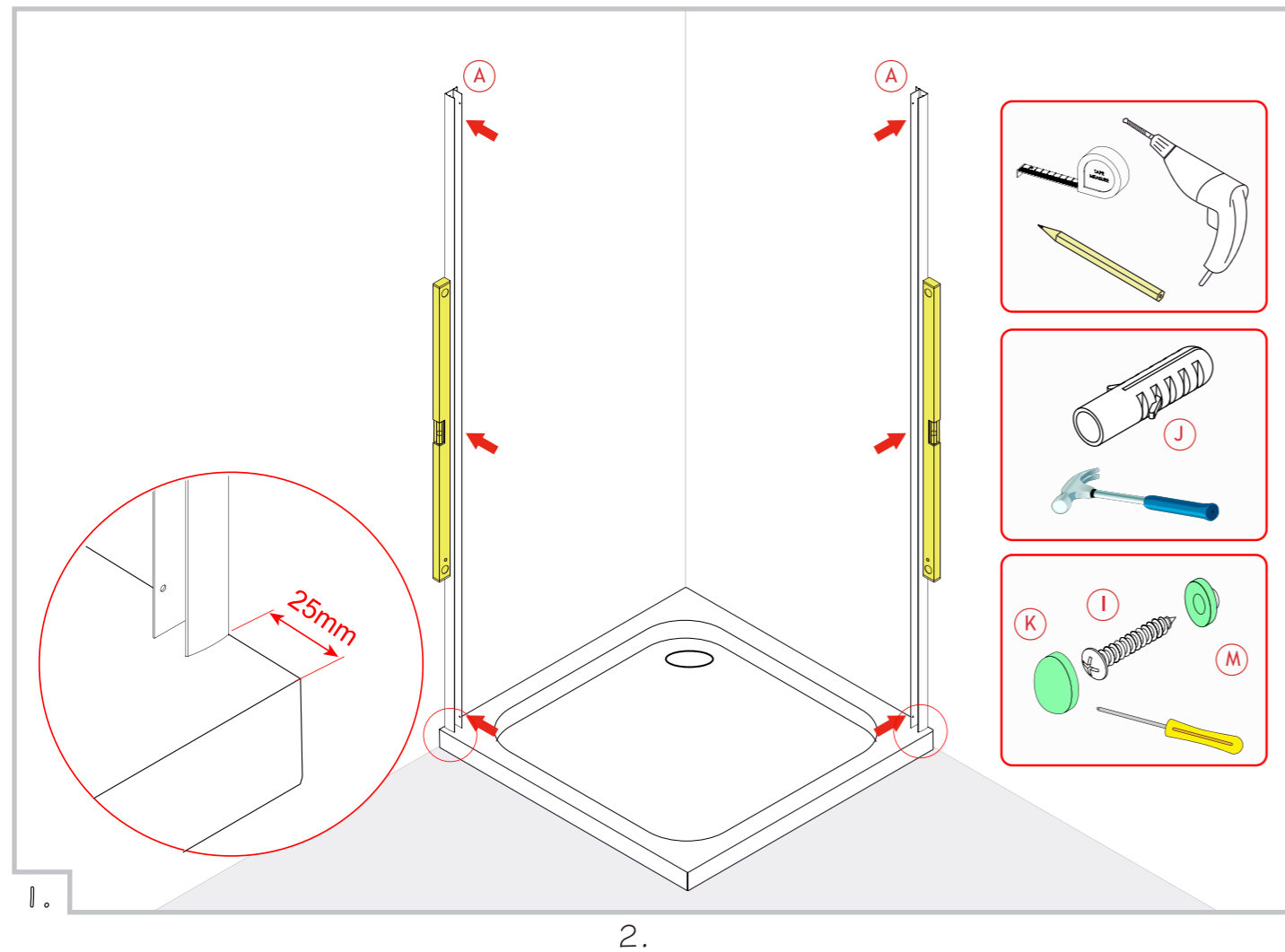
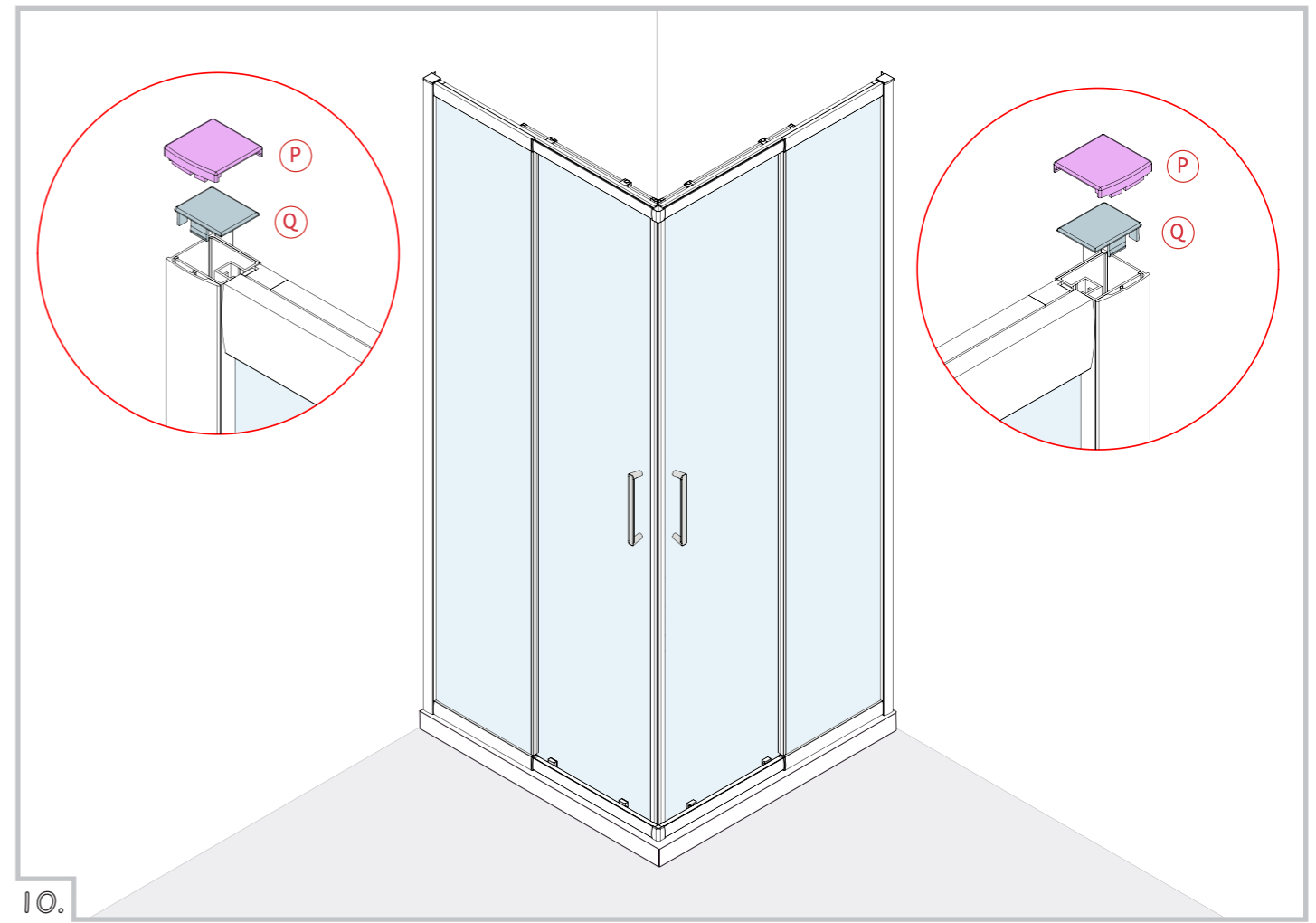
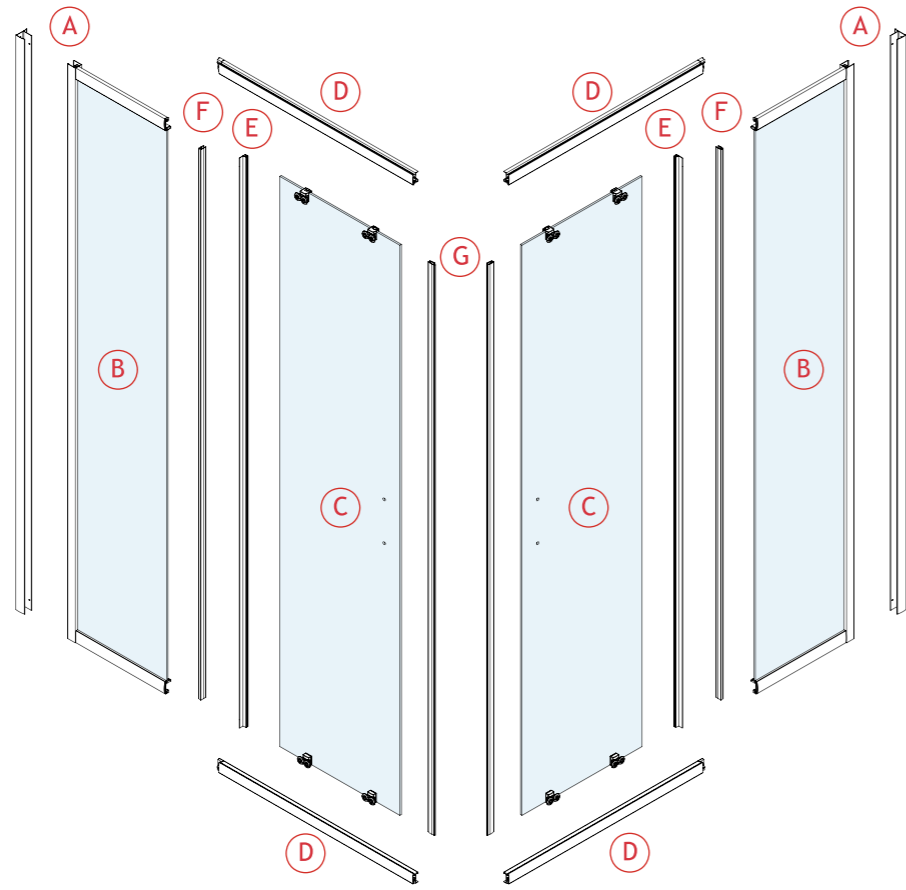
Sales Office Direct Telephone:+353 42 966 8000

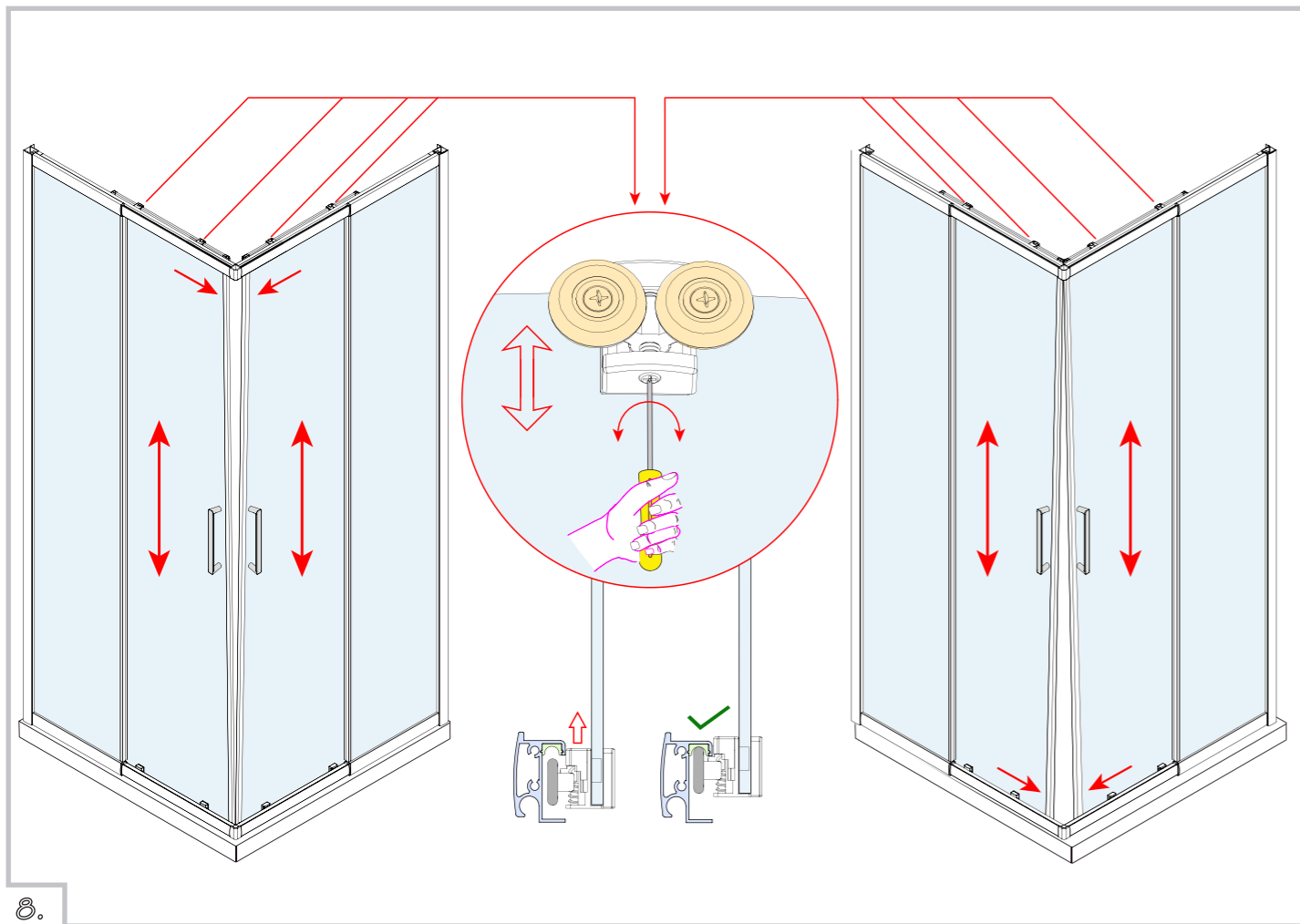
Where a shower enclosure has been installed contrary to these instructions Flair Showers Ltd cannot accept liability
 for any consequential loss or damage.

www.flairshowers.com

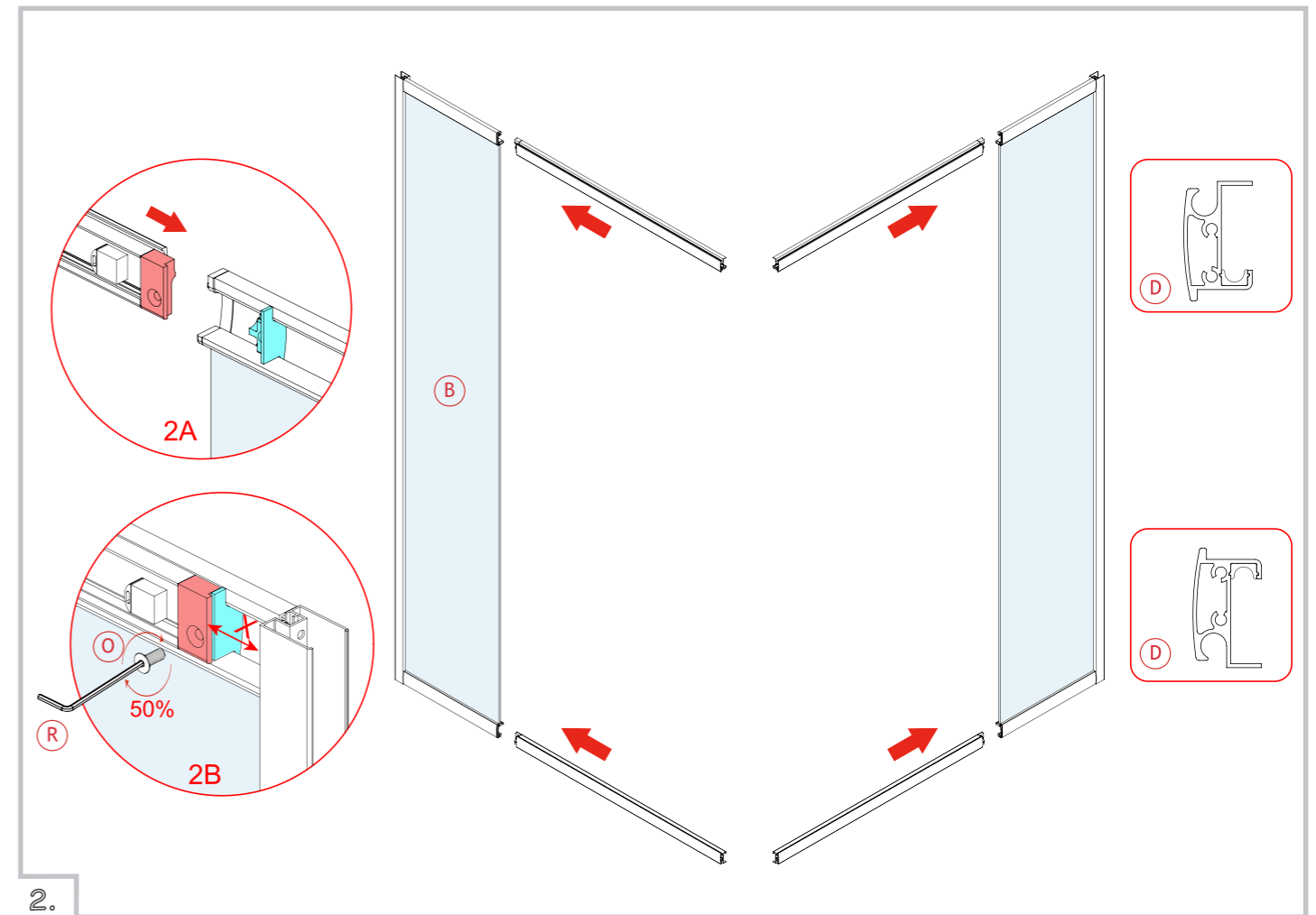
Slimline
Installation Instructions

ITEM		Quant.
(H)		2 Pc
(I)		6 Pc
(J)		6 Pc
(K)		16 Pc
(L)		10 Pc
(M)		16 Pc
(N)		2 Pc
(O)		4 Pc
(P)		1+1 Pc
(Q)		2 Pc
(R)		1+1 Pc
(S)		1 Pc

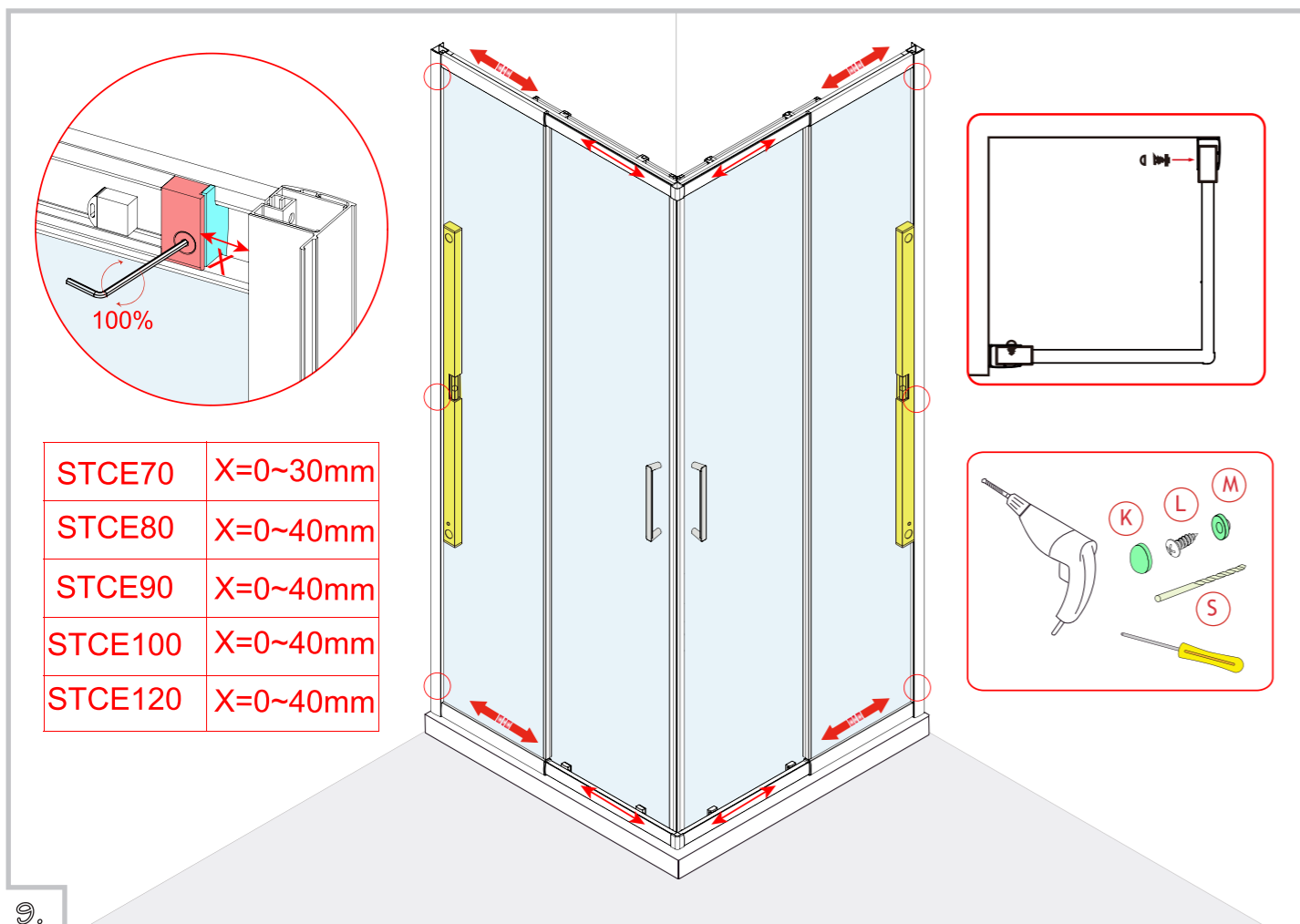




8.

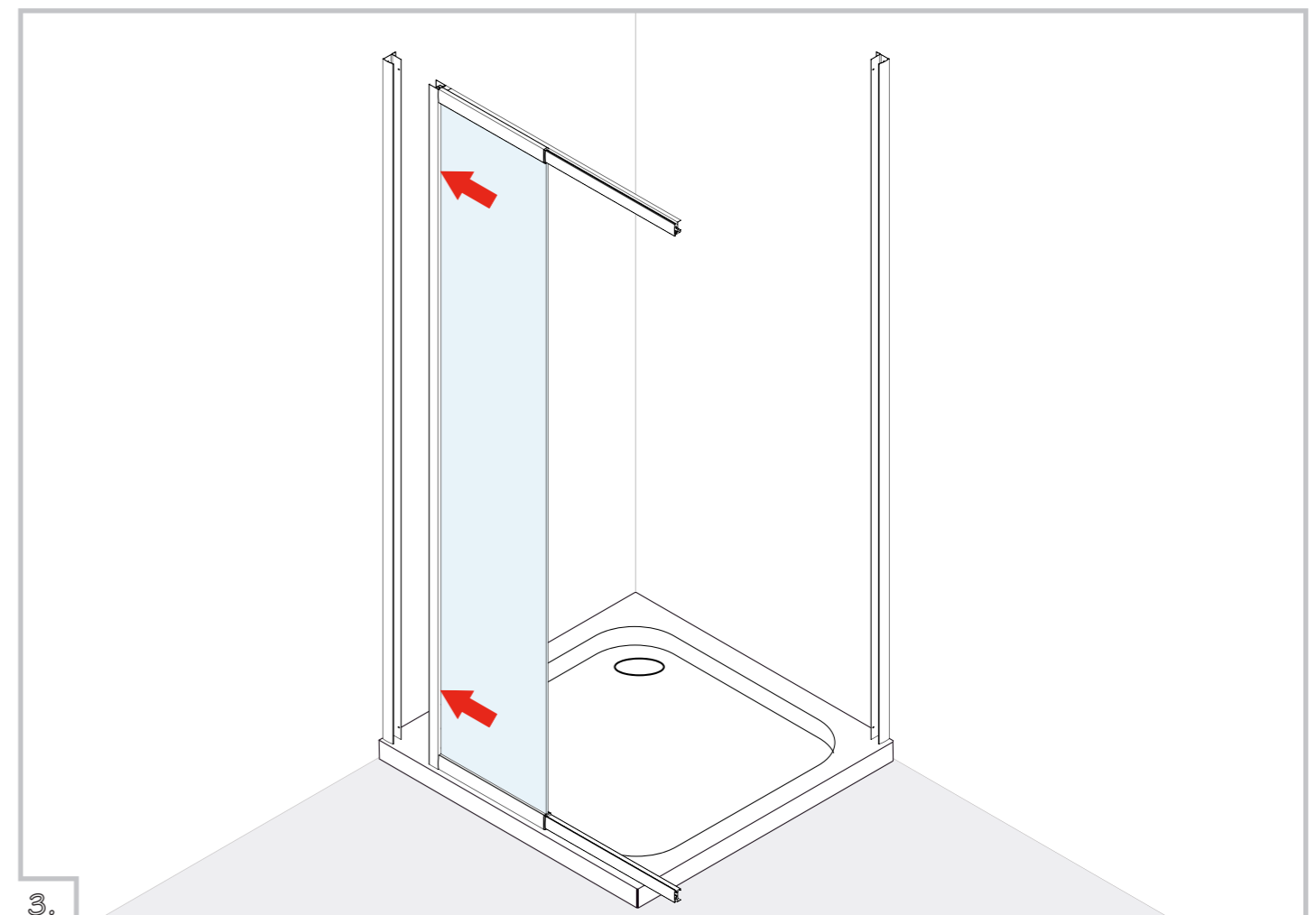


2.



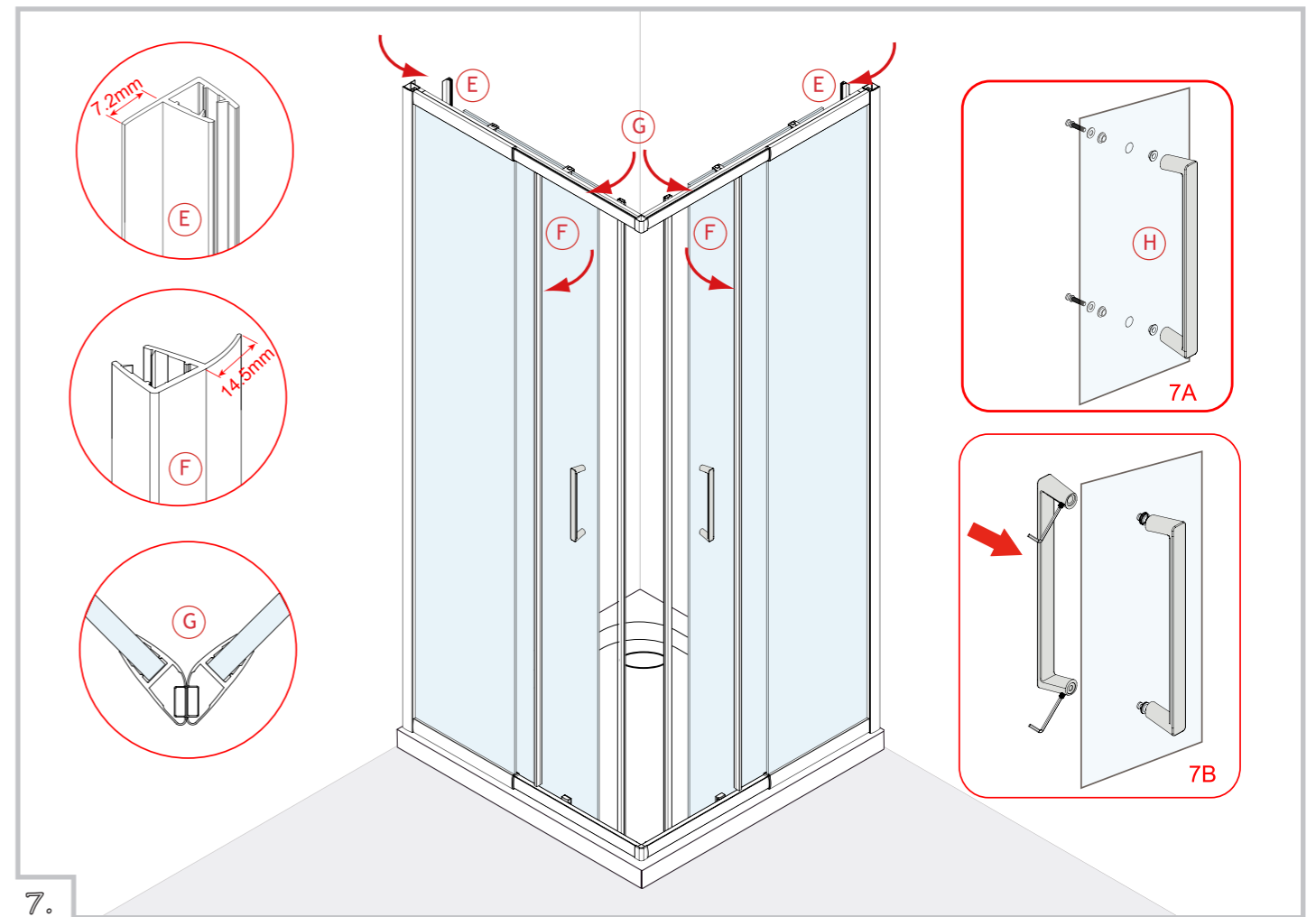
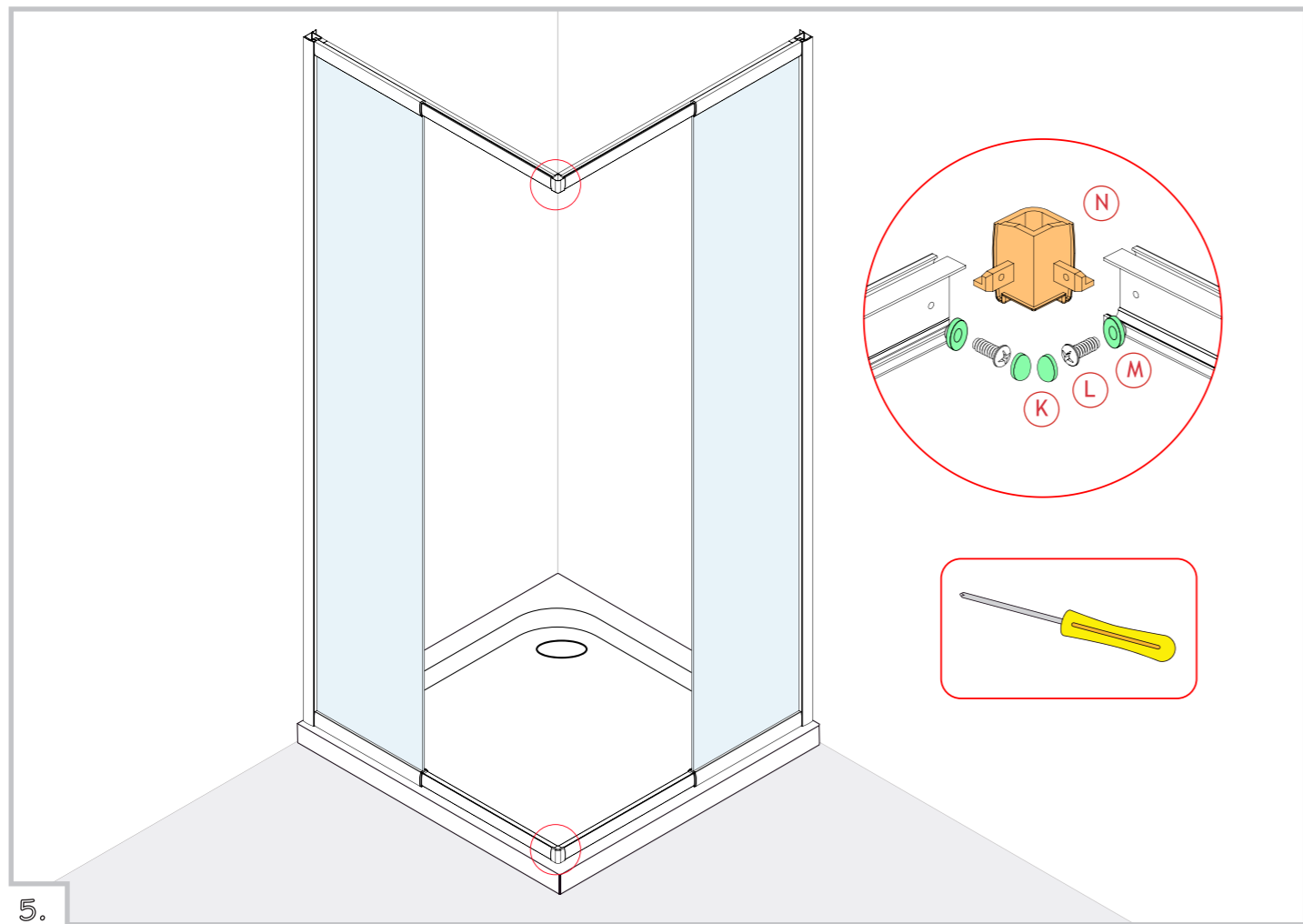
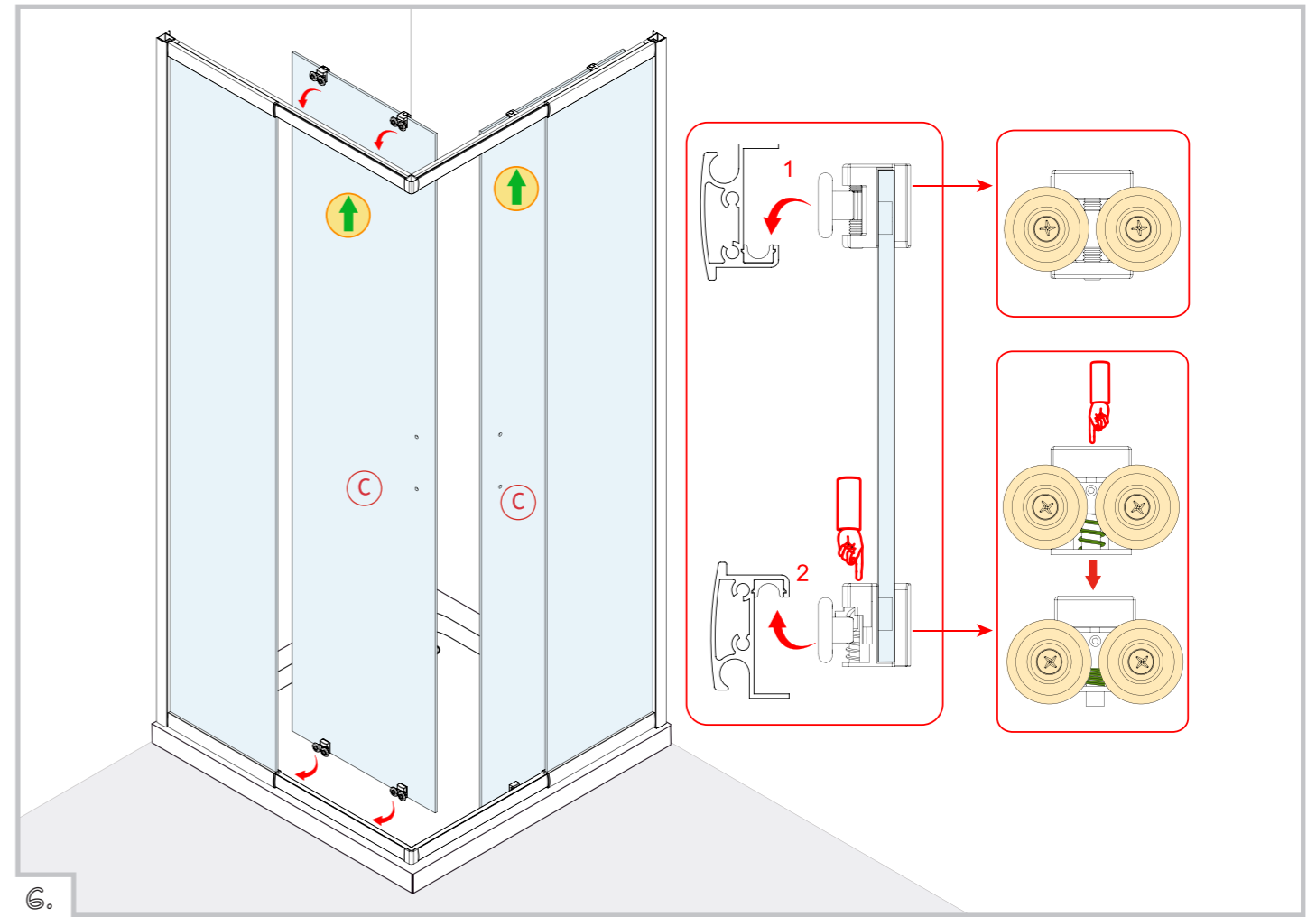
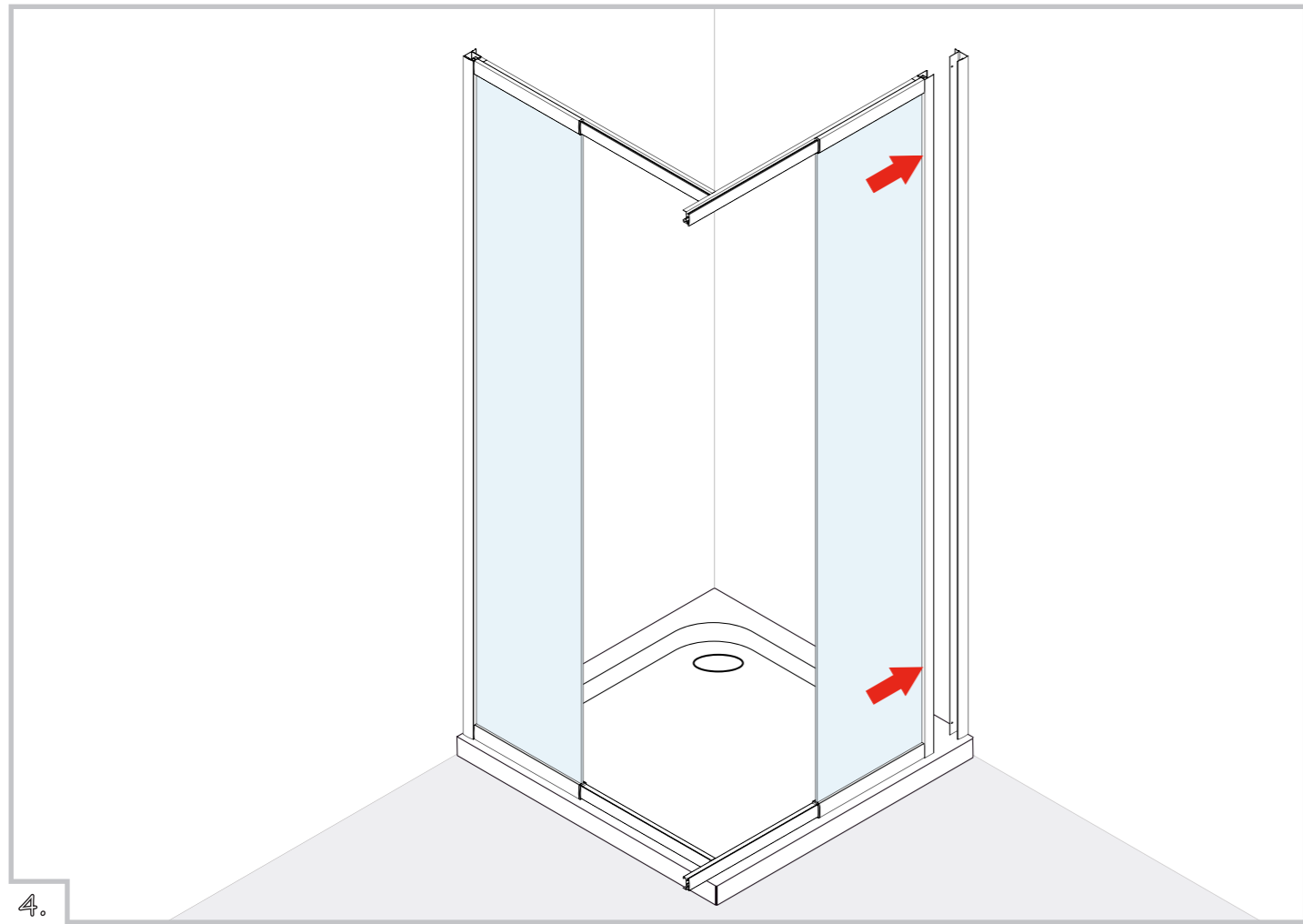
9.

6.



3.

3.



4.

5.