

ONE DOOR QUADRANT



EN 14428:2015+A1:2018 (shower enclosures)

EN 12150-1:2013 (glass in building)

EN ISO7599 (anodizing of aluminium and its alloys)

25mm Profile Adjustment

8mm Toughened Safety Glass

1950mm Height

Solid Chrome Handle

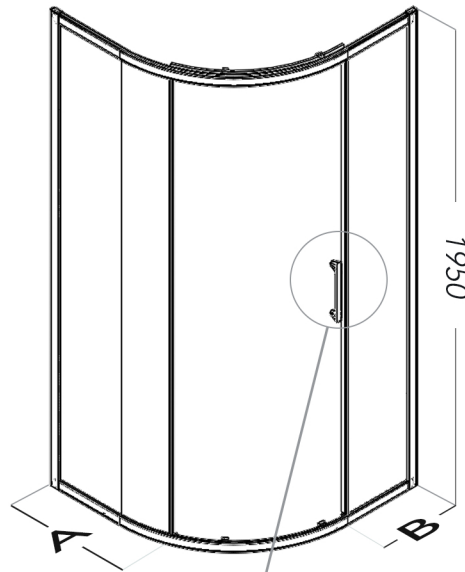
Ultra Slim Chrome Plated Cover Caps

ClearVue Glass Coating

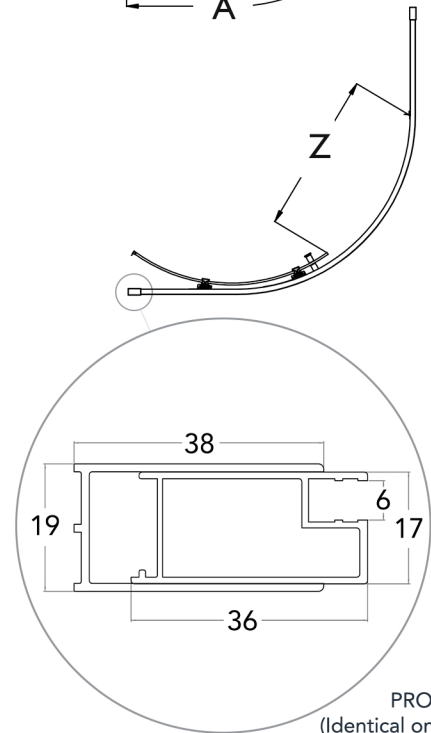
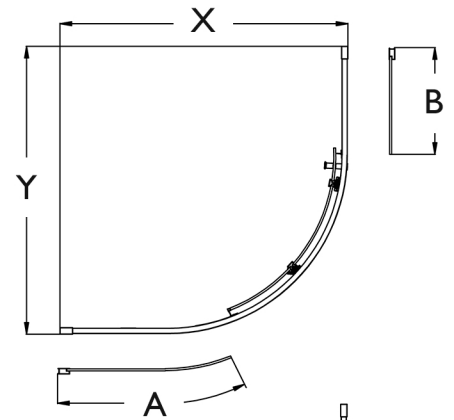
Reversible

Quick Release Chrome Double Wheel Rollers

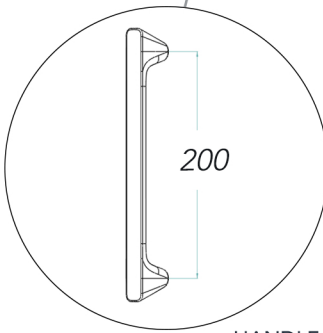
20 Year Guarantee Against Manufacturing Defects*



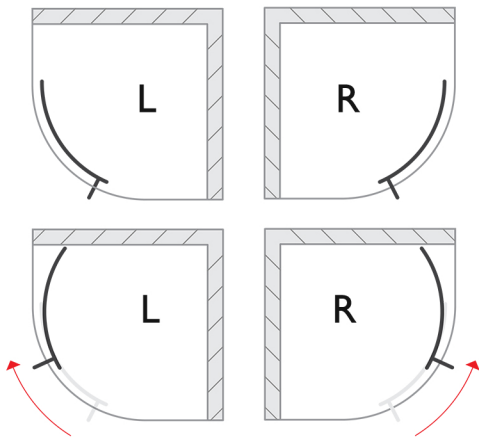
(MEASUREMENTS IN MM)



PROFILE
(Identical on both sides)



HANDLE



SPECIFICATIONS

PRODUCT SIZE	ADJUSTMENT X = Y (min - max)	DOOR ACCESS Z	GLASS PANEL		PRODUCT WEIGHT	PRODUCT CODE		
			A	B		SILVER	BLACK	BRUSHED BRASS
900mm	870 - 895mm	490mm	530mm	322mm	55.00kg	V8OCQ90SC	V8OCQ90BC	V8OCQ90BRBC

+353 42 966 8000 | flairshowers.com | sales@flairshowers.com

All data presented may be subjected to change without prior notice. Flair Showers does the best it can to provide accurate information. Flair Showers unfortunately cannot guarantee this, and accept no liability for any information / advice given.

* Excludes perishable items such as rollers, seals, hinges, etc.

